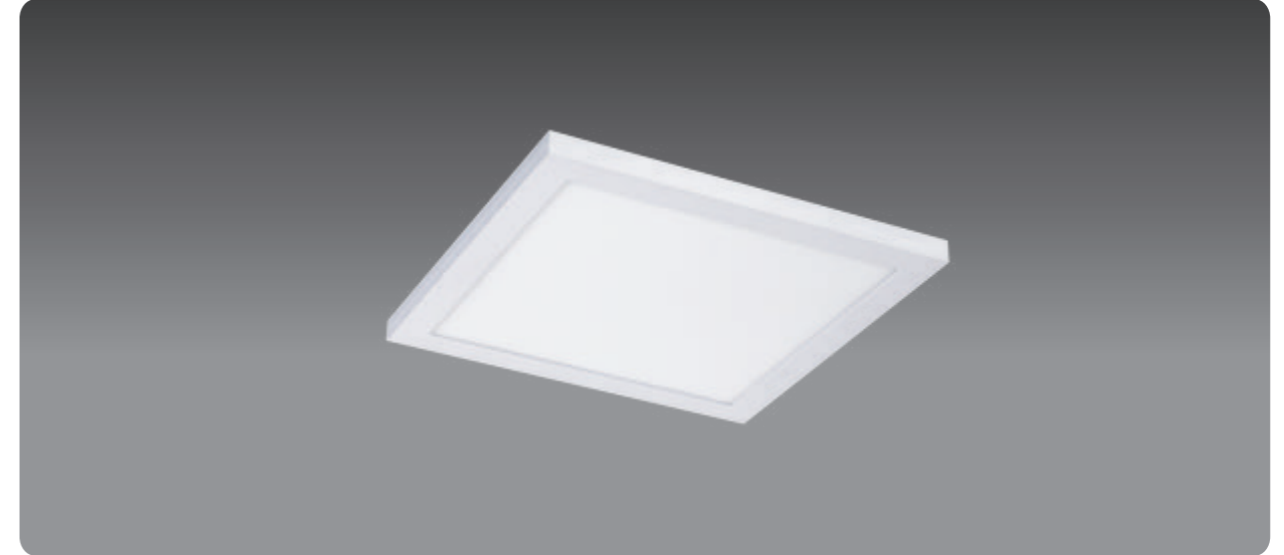




Microglow optics lens on request, releasing better lumen, and quality light, very much comfortable to working people.

SNOWIN



SPECIFICATION		DATA	
Material and thickness	ALUMINIUM	System power	42w
Diffuser Material	PMMA	Total Lumen	4497LM
Reflector/purity	System efficiency	97LM/W
Cross plates Quantity V	0	UGR	<18
Frame Material/color	Aluminium/White	Beam angel	119
Certificates	CE RoHS EN62471	Driver brand	TRIDONIC/OSRAM/PHILIPS
Class	I	Dimmable	AVAILABLE
IP	IP40	PF	>0.96
Warranty	5 YEARS	THD	<20%
IK	IK05(0.7J)	Flicker free	<10%
Glow wires	850 Degrees	LED Chip brand	SAMSUNG LG
Connector	LED PCB board	2PCS
Cut out hole	CRI	>80
External size	595x595mm	LM80 8000 hours	97.9(55degrees)
Weight	5.4KGS	L70/B50 hours	YES
Size	595x595x35mm	IES file available	YES
Box Quantity packaging size	62x61x5cm	LM79	YES
Quantity for 40*HighCube	3350pcs	Low Color Tolerance	ANSI/MacAdam 3
		DC Voltage range	27~54V

SNOWIN 42W LED



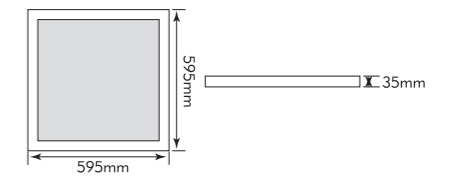
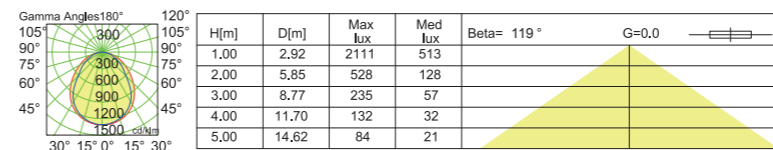
This luminaire contains built-in LED lamps.



LED

The LED lamps cannot be changed in the luminaire

874/2012





SNOWIN



SPECIFICATION		DATA	
Material and thickness	ALUMINIUM	System power	45W
Diffuser Material	PMMA	Total Lumen	4497LM
Reflector/purity	System efficiency	97LM/W
Cross plates Quantity V	0	UGR	<18
Frame Material/color	Aluminium/White	Beam angle	119
Certificates	CE RoHS EN62471	Driver brand	TRIDONIC/OSRAM/PHILIPS
Class	I	Dimmable	AVAILABLE
IP	IP40	PF	>0.96
Warranty	5 YEARS	THD	<20%
IK	IK05(0.7J)	Flicker free	<10%
Glow wires	850 Degrees	LED Chip brand	SAMSUNG LG
Connector	LED PCB board	2PCS
Cut out hole	CRI	>80
External size	1105x295mm	LM80 8000 hours	97.9(55degrees)
Weight	5.4KGS	L70/B50 hours	YES
Size	1105x295x35mm	IES file available	YES
Box Quantity packaging size	116x38x35cm	LM79	YES
Quantity for 40*HighCube	2000pcs	Low Color Tolerance	ANSI/MacAdam 3
		DC Voltage range	27~54V

SNOWIN 45W LED

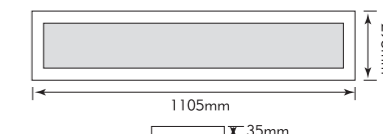
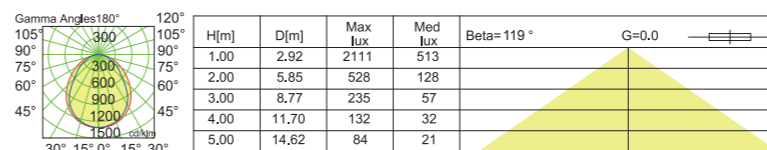
This luminaire contains built-in LED lamps.

A++
A+
A
B
C
D
E

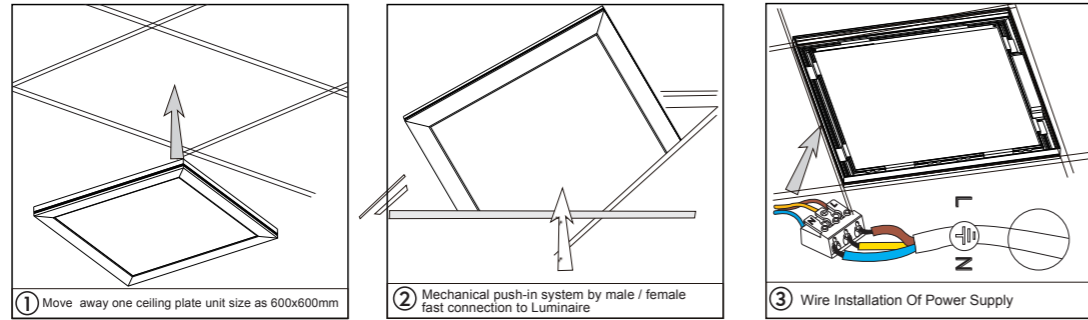
LED

The LED lamps cannot be changed in the luminaire

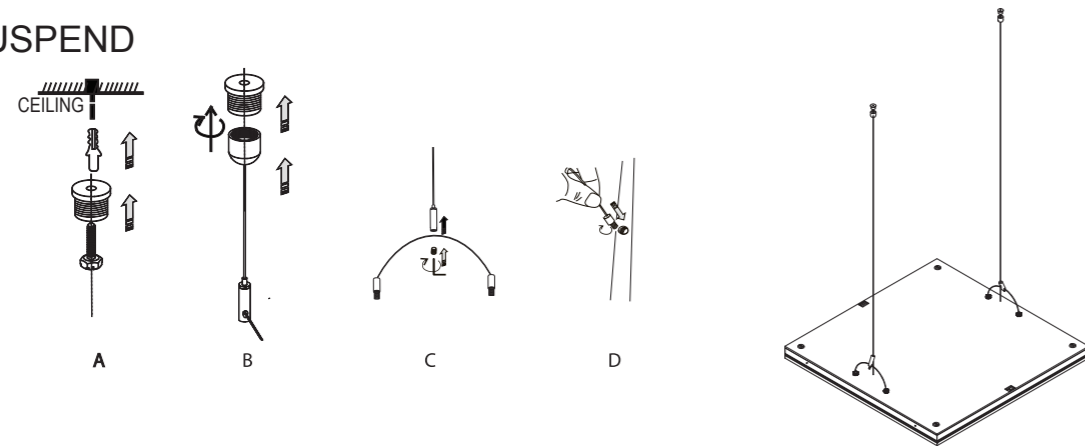
874/2012



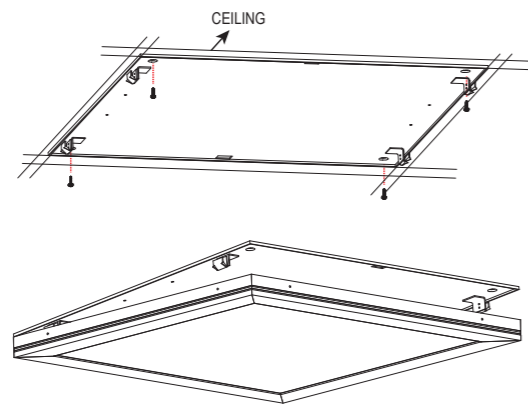
RECESSED



SUSPEND



SURFACE



EXCLUSIVE PROTECTION RESERVED FOR EVERY LED CHIP TO AVOID IMPACT FROM LIGHT GUIDE AND CAUSED DAMAGED

ALUMINIUM PROFILE HOUSING PROVIDE GOOD SPACE TO HIDE LED DRIVER INSIDE
RESERVE TRACK FOR CEILING MOUNTED.

SMOOTH LIGHT DIFFUSER WITH OPAL OR PRISMATIC IN SELECTION.

LIGHT STOPPER WITH LOCATING BACK OF LIGHT GUIDE

HIGH TRANSMISSION LIGHT GUIDE

MULTI FUNCTIONAL PLATE:
1, RECESSED WITH LAY DOWN T-BAR
2, SURFACE WITH FAST CLIP SYSTEM
3, SUSPEND WITH WIRE SUSPENSION